



# Broadband Horn

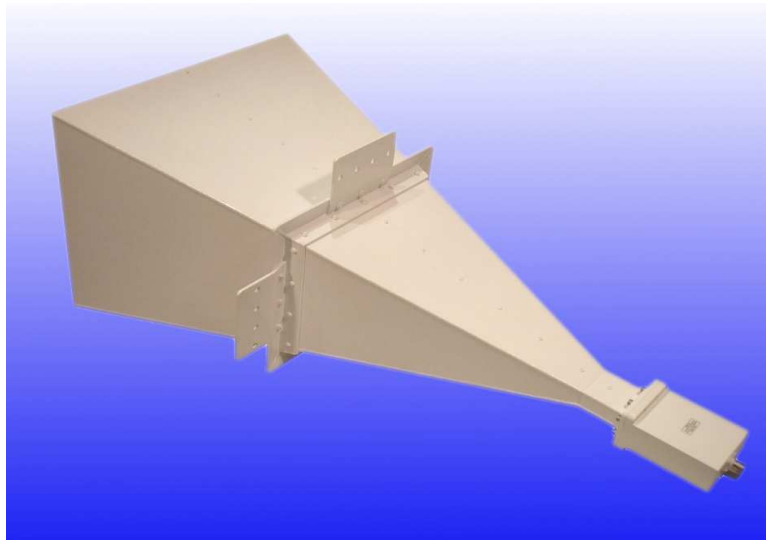
2 to 4 GHz

WRD200

Catalogue number: **QWH-SL-2-4-C-SG-R**

Q-Par reference: **QMS-00496**

Contents: **Summary**  
**Antenna Gain**  
**Beamwidth**  
**VSWR**



**4TECT**

ООО «4TECT»

Телефон: +7 (499) 685-4444

info@4test.ru

[www.4test.ru](http://www.4test.ru)

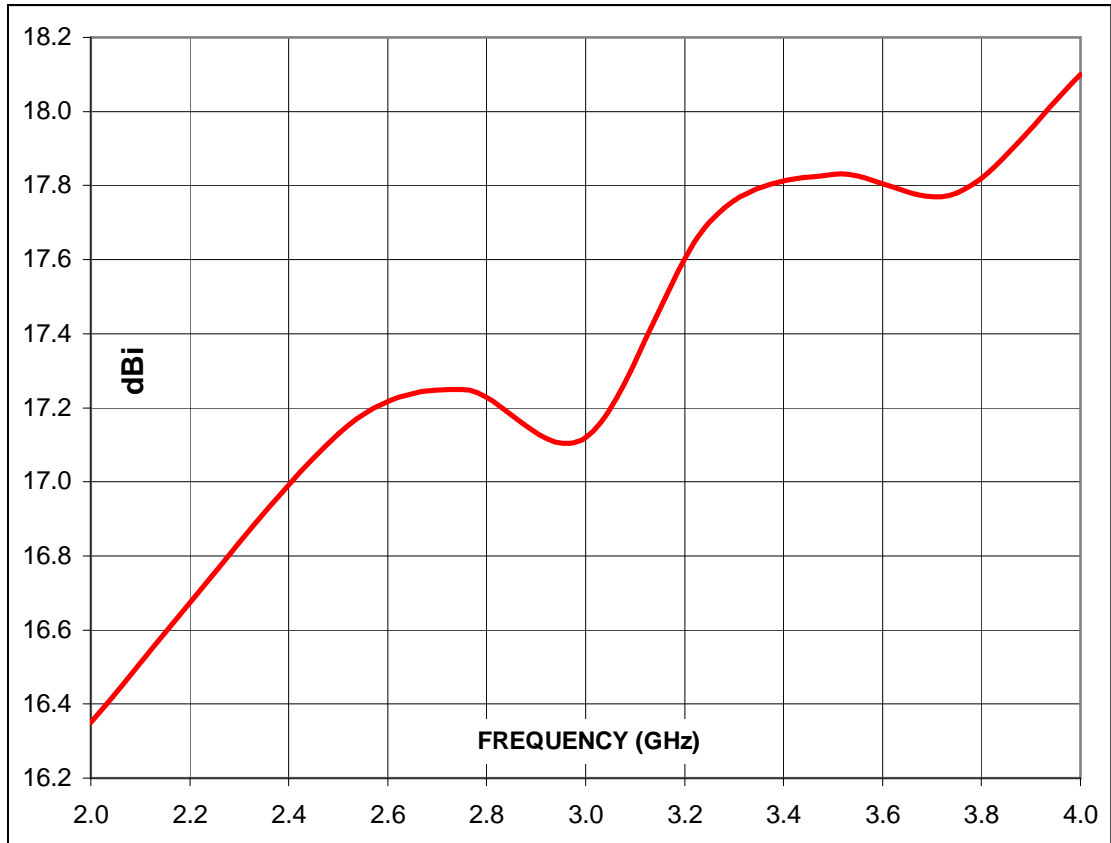
**STEATITE**  
COMPUTING - POWER - COMMUNICATIONS  
A Solid State Group Company

## Summary

Frequency	2 to 4 GHz
Connector type	WRD200 Transition to SC type precision jack
VSWR	< 1.6:1
Gain	16.4 to 18.1 dBi
Power handling	10 kW peak, 750 W mean
Weight	14 kg + 1.76 kg transition = 15.76 kg
Size- max.	555 mm x 426 mm x 986 mm long (1151 mm with transition)
Mounting	2 mounting plates, with 4 x 10 mm diameter holes, 40 mm centres

## Typical Antenna Gain

This is calculated by reference to standard gain horn antennas, and cross checked with reference to the antenna beamwidth, with an estimated error of +/- 0.8dB.



The recommended far field range for this antenna is > 7.8 Metres

Frequency GHz	Gain dBi	Antenna Factor dB/m
2.0	16.4	19.9
2.5	17.1	21.1
3.0	17.1	22.7
3.5	17.8	23.3
4.0	18.1	24.2

